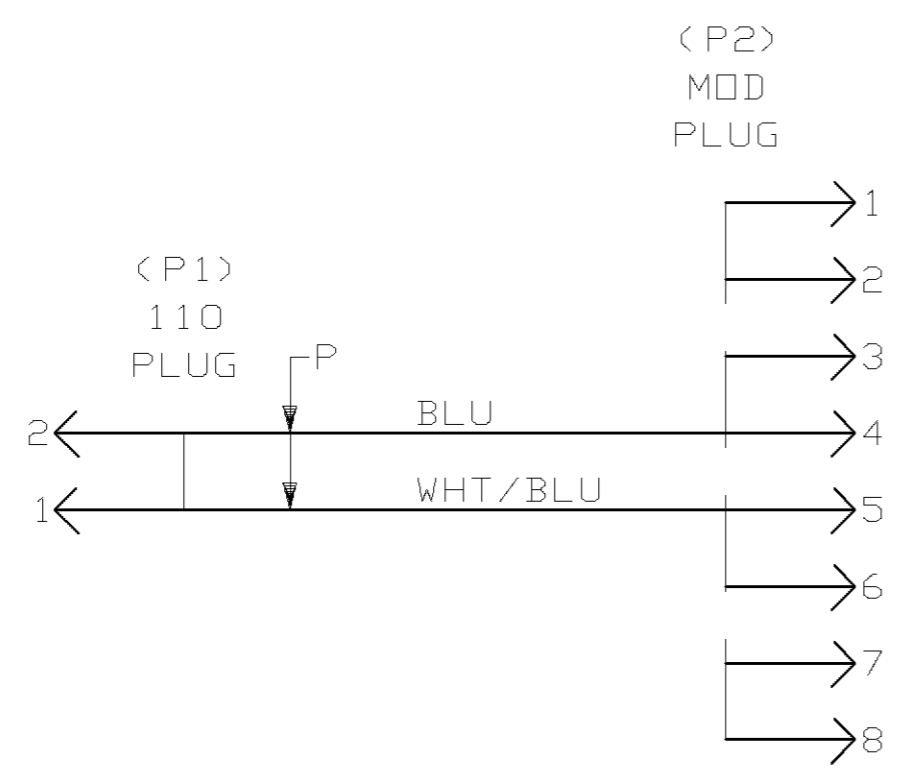
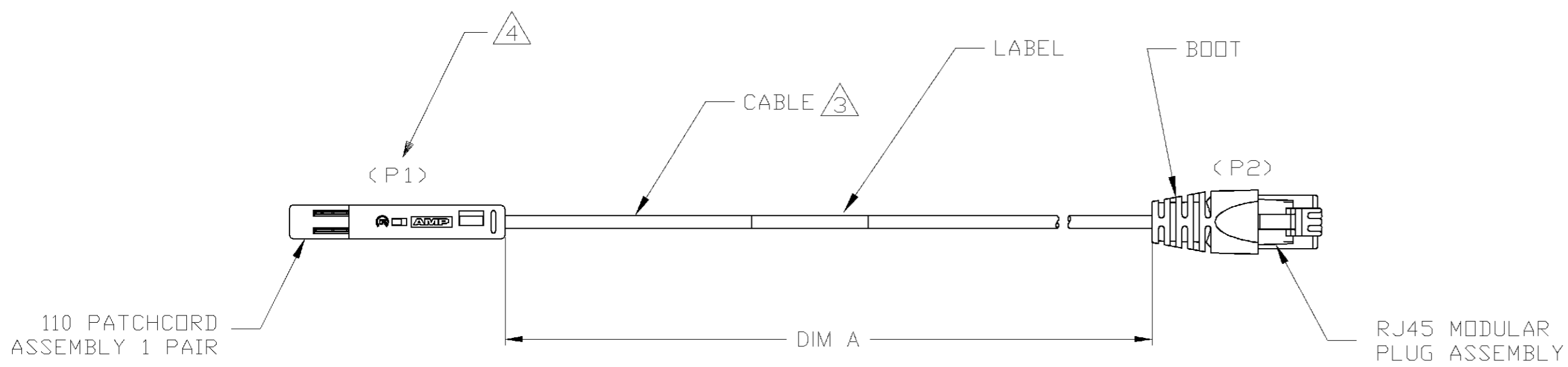


THIS DRAWING IS UNPUBLISHED. RELEASED FOR PUBLICATION  
 © COPYRIGHT BY TYCO ELECTRONICS CORPORATION. ALL RIGHTS RESERVED.

LOC	DIST	REVISIONS					
EH	00	P	LTR	DESCRIPTION	DATE	DWN	APVD
			O	REL PER ECN 0B10-0267-99	08SEP99	LDS	BA
			A	REV PER ECN 0B10-0104-00	16MAY00	LDS	LDS
			B	REV/EC-0B10-0079-02	09MAY02	LH	MD

- ONE CABLE PACKAGED IN A CLEAR POLY BAG.
- DIMENSIONS ARE MAXIMUM UNLESS OTHERWISE SPECIFIED.
- CABLE: UNSHIELDED 24 AWG, 2 TWISTED PAIR, 7/32 STRANDED CONDUCTORS, 100 OHMS, CATEGORY 5.
- DESIGNATIONS IN PARENTHESES ( ) ARE FOR REFERENCE ONLY.



WIRING DIAGRAM

3.35	11	3454.4 [136.00]	1-219856-1
2.74	9	2844.8 [112.00]	219856-9
2.13	7	2235.2 [88.00]	219856-7
1.52	5	1625.6 [64.00]	219856-5
.91	3	1016 [40.00]	219856-3
3.05	10	3149.6 [124.00]	219856-1
METERS, REF		FEET, REF	DIM A PART NO.

THIS DRAWING IS A CONTROLLED DOCUMENT.

DWN	L.D.SIMPSON	08SEP99
CHK	B.ANTHONY	08SEP99
APVD	B.ANTHONY	08SEP99

**tyco** Tyco Electronics Corporation  
**Electronics** Harrisburg, Pa., 17105-3608

NAME: PATCHCORD ASSEMBLY, 1PAIR, 110/RJ45

SIZE: A2 CAGE CODE: 00779 DRAWING NO: C-219856 RESTRICTED TO: B

SCALE: NTS SHEET: 1 OF 1 REV: B

CUSTOMER DRAWING